

## Two-Way Linear Actuator Connectors

Aluminum, for One Axis System

### SPECIFICATION

#### Identification No.

No. **2**: With 2 stainless steel socket cap screws DIN 912

Aluminum

Powder coated

Black, RAL 9005, textured finish **S**

Sleeve bearing

Plastic (PTFE)

Socket cap screw DIN 912

Stainless steel AISI 304

Hex nuts DIN 985

Stainless steel AISI 304

Self-locking via polyamide ring



### INFORMATION

Two-way linear actuator connectors GN 132.1 are based on two-way connector clamps. The additionally provided mounting holes are used to connect to the drive key of a linear actuator. Bores with the designation **G** are equipped with sleeve bearings.

With the screw locations **z**, the play of the guide bores  $d_1 / d_2$  can be adjusted or the linear actuator connectors can be clamped after adjustment.

For quick clamping without tools, the socket cap screw can be replaced by the adjustable hand levers GN 911 (see page 1874) listed in the table as accessories.

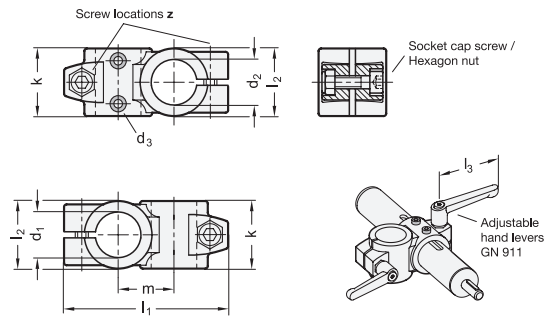
### ACCESSORY

- Adjustable Hand Levers GN 911 (see page 1874)

### TECHNICAL INFORMATION

- Stainless Steel characteristics (see page A26)

- Plastic characteristics (see page A2)



### GN 132.1-Without sleeve bearing

Description	$d_1 - d_2$ without sleeve bearing	k Clamping length	$d_3$ Mounting screws on the drive key	$l_1$	$l_2$	m	z Screw locations	Accessory Recom. hand lever GN 911 for z l3	⚖
GN 132.1-B30-B30-40-2-S	B30 - B30	40	M 4	97	40	33	M8-25	63   78	155
GN 132.1-B30-B30-56-2-S	B30 - B30	56	M 4	125	56	45	M10-35	-	570
GN 132.1-B40-B40-56-2-S	B40 - B40	56	M 5	125	56	45	M10-35	78   92	410
GN 132.1-B40-B40-65-2-S	B40 - B40	65	M 5	143	65	53	M10-50	-	834
GN 132.1-B50-B50-65-2-S	B50 - B50	65	M 6	143	65	53	M10-50	78   92	600
GN 132.1-B60-B60-80-2-S	B60 - B60	80	M 8	169	80	65	M10-50	78   92	1000

### GN 132.1-With sleeve bearing

Description	$d_1 - d_2$ with sleeve bearing	k Clamping length	$d_3$ Mounting screws on the drive key	$l_1$	$l_2$	m	z Screw locations	Accessory Recom. hand lever GN 911 for z l3	⚖
GN 132.1-G30-B30-40-2-S	G30 - B30	40	M 4	97	40	33	M8-25	63   78	155
GN 132.1-G30-B30-56-2-S	G30 - B30	56	M 4	125	56	45	M10-35	-	570
GN 132.1-G40-B40-56-2-S	G40 - B40	56	M 5	125	56	45	M10-35	78   92	410
GN 132.1-G40-B40-65-2-S	G40 - B40	65	M 5	143	65	53	M10-50	-	834
GN 132.1-G50-B50-65-2-S	G50 - B50	65	M 6	143	65	53	M10-50	78   92	600
GN 132.1-G60-B60-80-2-S	G60 - B60	80	M 8	169	80	65	M10-50	78   92	1000